

Are you  
throwing  
\$\$\$ out the  
window -  
or cleaning  
them?

**UNGER**<sup>®</sup>

Quality Tools for Smart Cleaning<sup>™</sup>



**AMERICHEM**

YOUR PARTNER IN CLEAN

(800) 262-4360 | [www.americhem.net](http://www.americhem.net)

**HYDRO  
POWER<sup>®</sup>**  
ULTRA

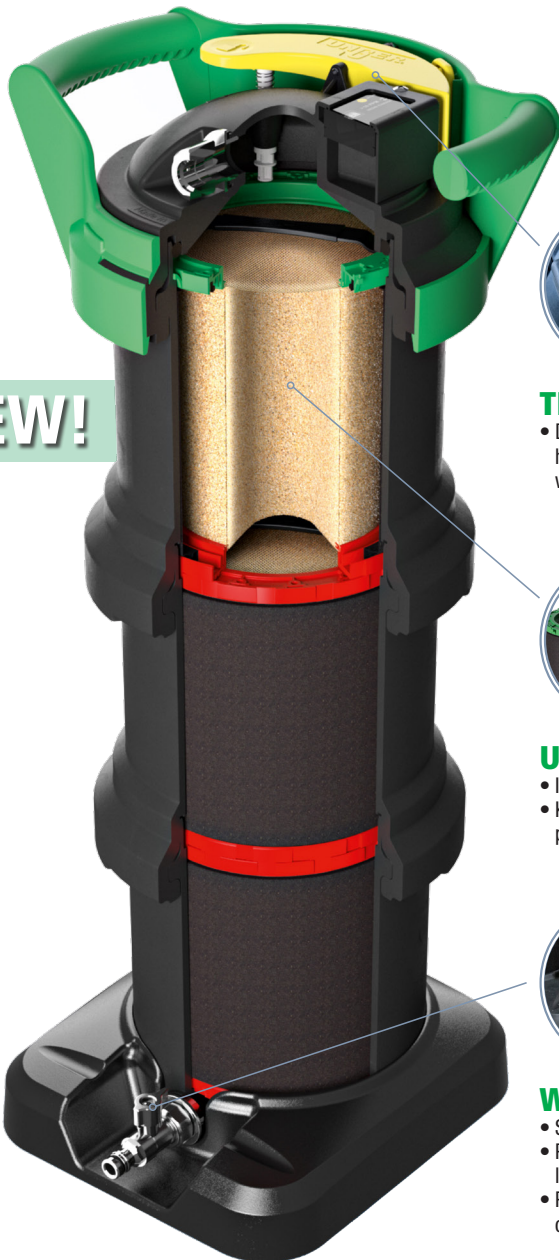
[ungerglobal.com](http://ungerglobal.com)

## Introducing HydroPower Ultra DI Pure Water System

Whether you *outsource* your window cleaning or you use lifts and ladders, Unger has a better way!

### What is pure water?

Pure water is created by extracting minerals from tap water with an invisible magnet. **With pure water, there is no need to wipe or polish the glass, the water dries streak free leaving your windows spotless.** The new UNGER HydroPower Ultra deionizing system produces 100% pure water instantly using an ion exchange process. It removes the minerals from tap water by filtering through the most efficient resin bags available.

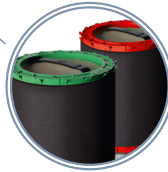


**NEW!**



#### TDS METER

- Displays the water hardness of the pure water coming out



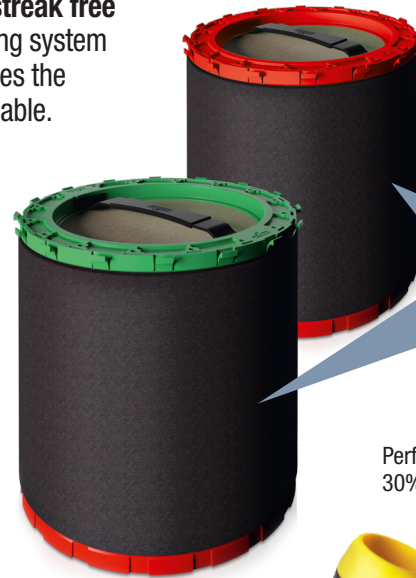
#### ULTRA RESIN PACKS

- Intuitive color coded system
- KeyLock feature assists with proper resin installation

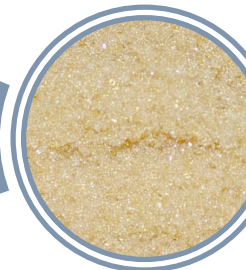


#### WATER CONNECTIONS

- Stable quick-fit metal hose connector
- Practical shut-off valve prevents leakage during transport
- Pre-installed, dynamic control guarantees optimum water flow at all times



#### Ultra Resin Packs



#### Premium Ultra Resin

Perfected ion exchange resin, 30% more pure water output\*



#### nLITE<sup>®</sup> WATERFED POLE SYSTEM

Avoid dangerous ladders with Unger's evolutionary nLite Waterfed Poles! Safely clean upper-story windows from ground level with these strong, lightweight poles that don't compromise on rigidity.

Extension Poles, which include yellow and red visual warnings to prevent unintentional separation, attach easily to Master Poles to reach lengths up to 55'. See why nLite poles are the ultimate in waterfed technology!

\*In comparison with standard DI systems (e.g. UNGER HydroPower<sup>®</sup> DI filters).  
Source: test results from the independent testing laboratory Miontec GmbH, 2019.

# How will HydroPower Ultra benefit me?

**Save over \$7,000**

Cost saving vs lifts and ladders

**EXAMPLE: 5-Story Commercial Office Building (350 Windows)**

	INSOURCED		OUTSOURCED	
	HydroPower & nLite		Window Cleaning Contractor	
Cost per Window (\$10) <small>*For cleanings over two years</small>	\$0		\$10,500	
Total Overhead Costs <small>(Contractors, Scissor lifts, ladders, etc)</small>			\$3,500	
HydroPower Ultra/nLite Kit Cost	\$6,854*			
<b>2-YR Window Cleaning Cost</b>	<b>\$6,854</b>		<b>\$14,000</b>	

UNGER CAN HELP SAVE YOU

**\$7,146!**

\*Kit #UHPK4 + UHPR3  
All values are based on estimates.



**Easy and Safe to Use**

With no training, keep your team safely on the ground while cleaning up to 55 ft.





## HydroPower<sup>®</sup> Ultra – Professional Kit 55'

PART NO.: **UHPK4** CASE QTY.: **1**

- UHP3C HydroPower Ultra Large Tank with Cart (Includes 3 resin packs)
- UC67G HiFlo nLite HiMod Carbon Master Pole, 4 Sections - 22'
- UC35G (3) HiFlo nLite HiMod Carbon Extension Pole, 2 Sections - 11'
- NLG20 HiFlo nLite MultiLink Gooseneck - 8"
- TMOOV HiFlo CONTROL
- NLHPC (2) HiFlo nLite Hose Brush Connection Kit
- NLBJF HiFlo nLite Fan Jets, Set of 2
- NLR27 HiFlo nLite Radius Brush - 11"
- NL25G HiFlo nLite Hose - 82'
- NLBA1 nLite Carrying Bag



## HydroPower<sup>®</sup> Ultra – Professional Kit 33'

PART NO.: **UHPK3** CASE QTY.: **1**

- UHP3C HydroPower Ultra Large Tank with Cart (Includes 3 resin packs)
- UC67G HiFlo nLite HiMod Carbon Master Pole, 4 Sections - 22'
- CT35G HiFlo nLite Carbon Extension Pole, 2 Sections - 11'
- NLG20 HiFlo nLite MultiLink Gooseneck - 8"
- TMOOV HiFlo CONTROL
- NLHPC (2) HiFlo nLite Hose Brush Connection Kit
- NLBJF HiFlo nLite Fan Jets, Set of 2
- NLR27 HiFlo nLite Radius Brush - 11"/27cm
- NL20G HiFlo nLite Hose - 65'
- NLBA1 nLite Carrying Bag



## HydroPower<sup>®</sup> Ultra – Advanced Kit 33'

PART NO.: **UHPK2** CASE QTY.: **1**

- UHP01 HydroPower Ultra Small Tank (Includes resin pack)
- CT67G HiFlo nLite Carbon Master Pole, 4 Sections - 22'
- CT35G HiFlo nLite Carbon Extension Pole, 2 Sections - 11'
- NLG20 HiFlo nLite MultiLink Gooseneck - 8"
- TMOOV HiFlo CONTROL
- NLHPC (2) HiFlo nLite Hose Brush Connection Kit
- NLBJF HiFlo nLite Fan Jets, Set of 2
- NLR27 HiFlo nLite Radius Brush - 11"
- NL20G HiFlo nLite Hose - 65'
- NLBA1 nLite Carrying Bag



## HydroPower<sup>®</sup> Ultra – Entry Kit 20'

PART NO.: **UHPK1** CASE QTY.: **1**

- UHP01 HydroPower Ultra Small Tank (Includes resin pack)
- AN60G nLite Aluminum Master Pole, 4 Sections - 20'
- NL11G HiFlo nLite Hose - 36'
- FTGOS HiFlo MultiLink Adapter
- NL27A HiFlo nLite Rectangular Brush - 11"